

**Material and Plating**

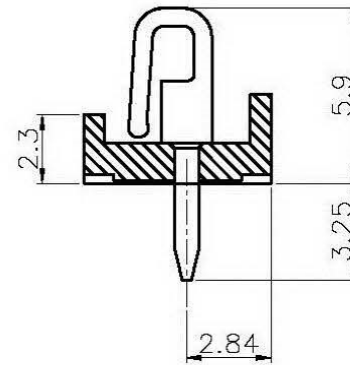
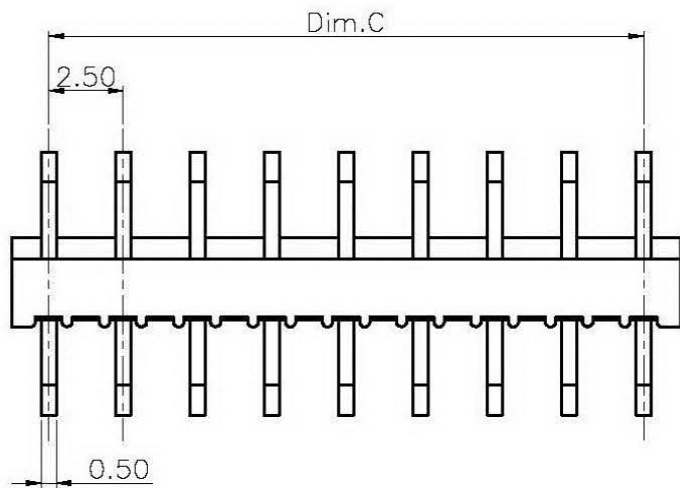
Housing :High Temp. Plastic (LCPE130I UL94V-0)

Color:Green

Contact : Contact Material: Pin: Brass Gold-plated 30~50u"

Insulation Resistance :  $\geq 500M\Omega$

Contact Resistance :  $\leq 0.02\Omega$



PIN	L	C
27	67.5	65.0

凱帛企業有限公司 KABOE ENTERPRISE CO.,LTD.		
Name Pitch:2.5mm Board To Board DIP V/T 公座 綠膠		
Drawing No. BTB-2.5-2001-2702N		
APPD	-HK-	D-R
General Tolerances : -x.xx± x.x±	Unit : mm	Scale : ROM