

NOTE:

1.MATERIAL:

HOUSING:LCP(UL 94V-0)
 ACTUATOR:LCP(UL 94V-0)
 TERMINAL:PHOSPHOR BRONZE
 STOPPER:PHOSPHOR BRONZE

2.PLATING:

TERMINAL:SEE ORDERING INFORMATION
 STOPPER:TIN OVER NICKEL(LEAD FREE)

NO. OF CONTACTS	PART NUMBER	DIM. A	DIM. B	DIM. C	DIM. E
09	09	4.2	1.8	2.4	3.7
11	11	4.8	2.4	3.0	4.3
13	13	5.4	3.0	3.6	4.9
15	15	6.0	3.6	4.2	5.5
17	17	6.6	4.2	4.8	6.1
19	19	7.2	4.8	5.4	6.7
21	21	7.8	5.4	6.0	7.3
23	23	8.4	6.0	6.6	7.9
25	25	9.0	6.6	7.2	8.5
27	27	9.6	7.2	7.8	9.1
29	29	10.2	7.8	8.4	9.7
31	31	10.8	8.4	9.0	10.3
33	33	11.4	9.0	9.6	10.9
35	35	12.0	9.6	10.2	11.5
37	37	12.6	10.2	10.8	12.1
39	39	13.2	10.8	11.4	12.7
41	41	13.8	11.4	12.0	13.3
43	43	14.4	12.0	12.6	13.9
45	45	15.0	12.6	13.2	14.5
49	49	16.2	13.8	14.4	15.7
51	51	16.8	14.4	15.0	16.3
57	57	18.6	16.2	16.8	18.1
61	61	19.8	17.4	18.0	19.3
67	67	21.6	19.2	19.8	21.1
71	71	22.8	20.4	21.0	22.3

凱帛企業有限公司
 KABO ENTERPRISE CO., LTD.

DESCRIPTION(內容):

Pitch:0.3mm FPC SMT V/T TYPE H:1.0 撥蓋式

PART NO:
 (料號) FPC-0.3-1006-xx93N

DWG NO(圖號):

DRAWN(製圖):

CHECKED(確認):

APPROVAL(核准):

GENERAL TOLERANCE:
 (公差)

SCALE(比例):
 1:XX



REV:
 A

UNIT:
 mm

SIZE:
 A4

SHEET:
 1/1

REV

1

2

3

4

DESCRIPTION

DATE

2020.09.09

A

B

C

D

E

1

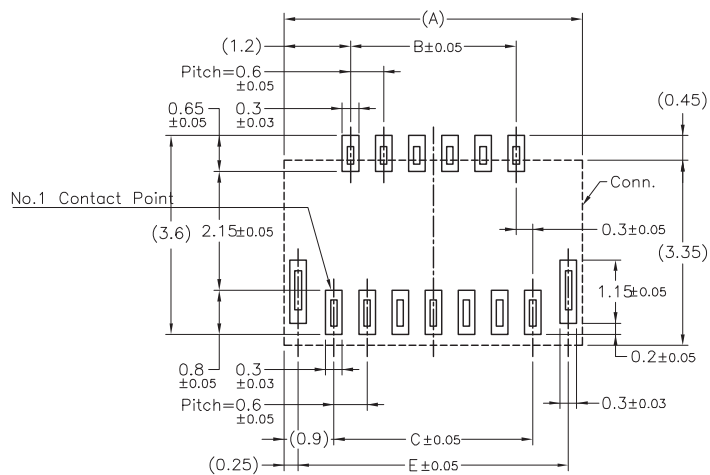
1

2

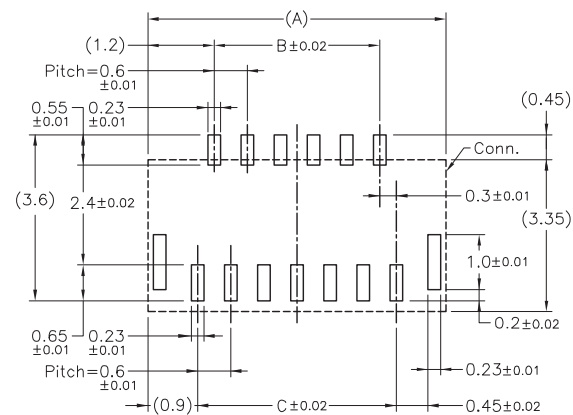
2

3

3



↑
FPC/FFC INSERT DIRECTION
PCB LAYOUT



RECOMMENDED METAL MASK PATTERN

凱帛企業有限公司
KABO ENTERPRISE CO., LTD.

DESCRIPTION(內容):

Pitch:0.3mm FPC SMT V/T TYPE H:1.0 規格式

PART NO:
(料 號) FPC-0.3-1006-xx93N

DWG NO(圖號):

DRAWN(製圖):

CHECKED(確認):

APPROVAL(核准):

GENERAL TOLERANCE:
(公差)

SCALE(比例):
1:XX



REV:
A

UNIT:
mm

SIZE:
A4

SHEET:
1/1

REV

1

2

3

4

DESCRIPTION

DATE

2020.09.09

A

B

C

D

E