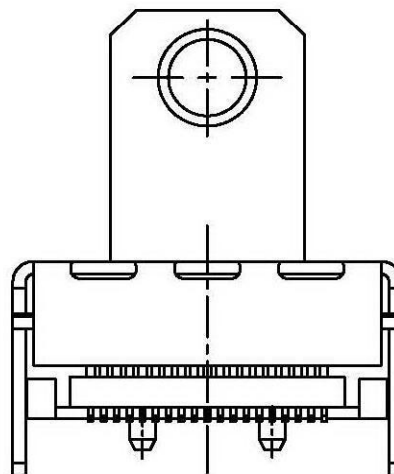
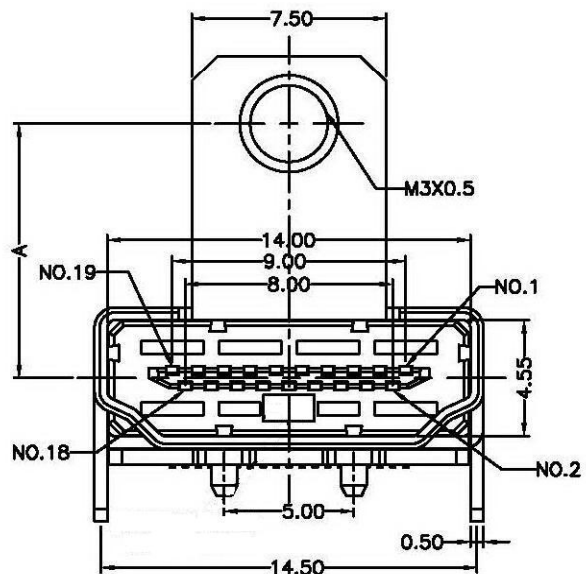
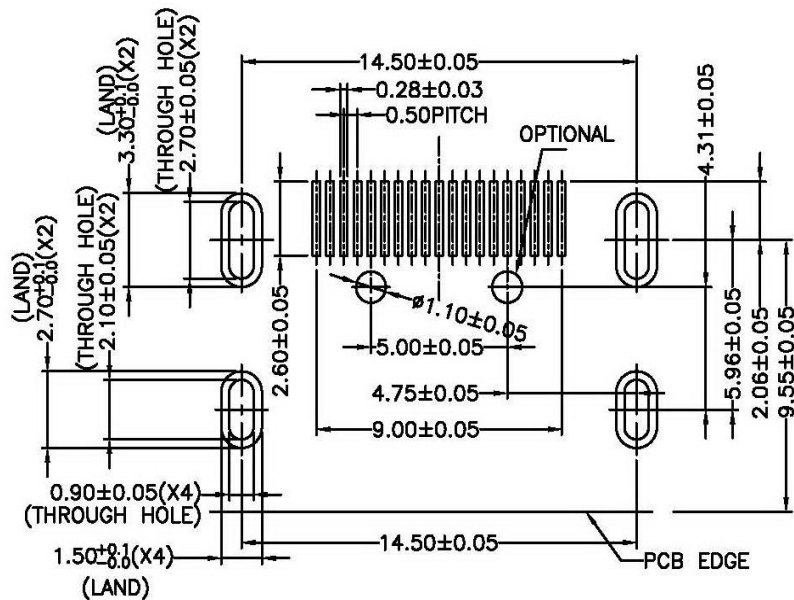


PART	A	B	C
2	7.975	14.53	5.20

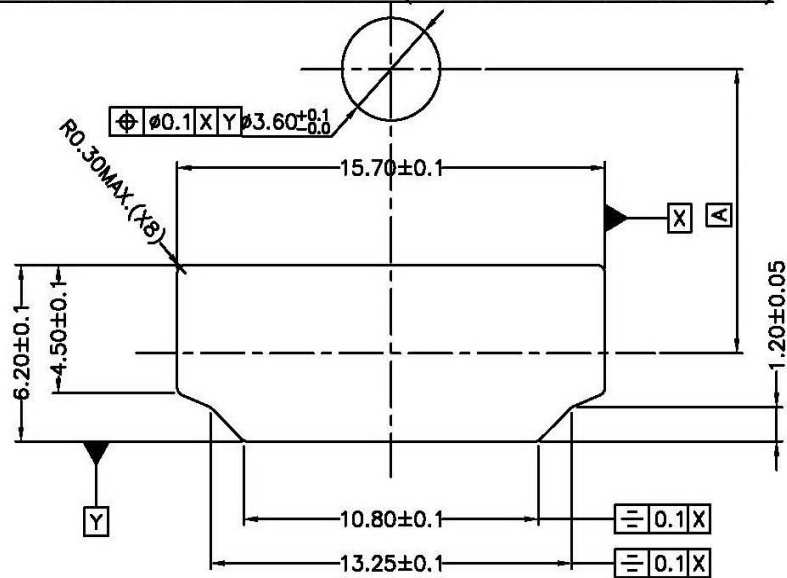


凱帛企業有限公司 KABO ENTERPRISE LTD.		
Name		
HDMI TECEPTACLE SMT 19PIN		
Drawing No.		
HDMI-1011-1991N		
DR	CHK	APPD
General Tolerances :	Unit :	Scale :
x.xx±0.25 x.x±0.30	mm	ROM

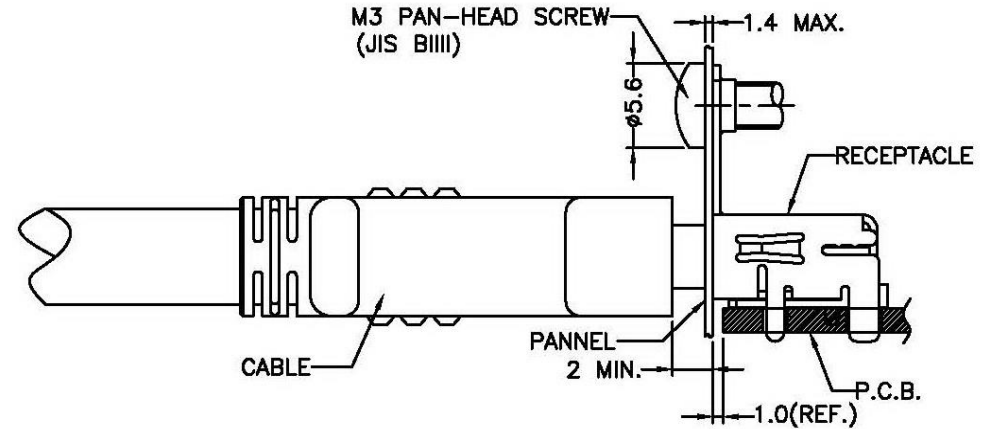
THIS DRAWING CONTAINS INFORMATION THAT IS PROPRIETARY TO KABO ENTERPRISE LTD. AND SHOULD NOT BE USED WITHOUT WRITTEN PERMISSION..



RECOMMENDED PCB LAYOUT (THICKNESS=1.6±0.15mm)



REFERENCE PANEL CUT OUT DIMENSION



REFERENCE MOUNT DIMENSION

REMARKS:

1. MATERIAL:
 - 1.1 HOUSING: HIGH TEMPERATURE THERMOPLASTIC UL 94V-0 RATED.
 - 1.2 CONTACT: COPPER ALLOY
2. PLATING:
 - 2.1 CONTACT:

GOLD PLATED OVER NICKEL ON CONTACT AREA AND 100u" MIN. TIN PLATED OVER NICKEL ON SOLDER TAILS
 - 2.2 SHELL:

TIN PLATED OVER NICKEL OR NICKEL PLATED OR GOLD PLATED OVER NICKEL

凱帛企業有限公司 KABO ENTERPRISE LTD.		
Name		
HDMI TECEPTACLE SMT 19PIN		
Drawing No.		
HDMI-1011-1991N		
DR	CHK	APPD
General Tolerances :	Unit :	Scale :
x.xx±0.25 x.x±0.30	mm	ROM