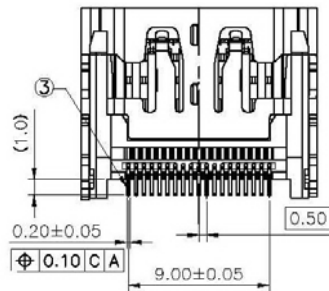
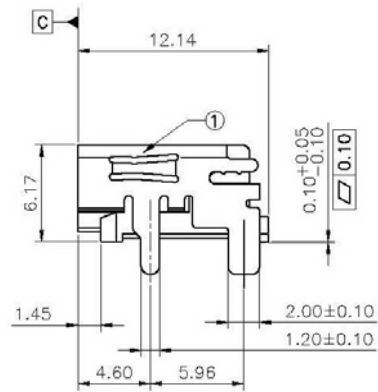
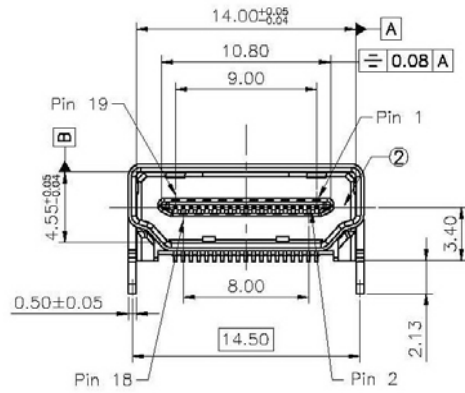
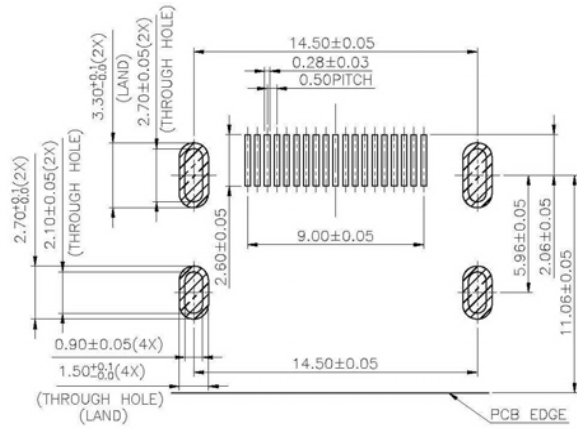


19	COPPER ALLOY	CONTACT	③
1	THERMOPLASTIC UL94V-0	HOUSING	②
1	COPPER ALLOY	SHELL	①
QTY'S	SPECIFICATION	PART	ITEM

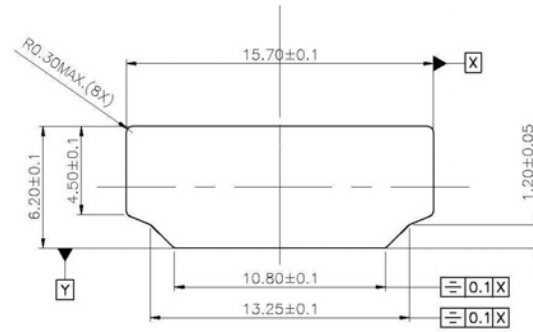


凱帛企業有限公司 KABO ENTERPRISE CO.,LTD.		
Name		
HDMI SMT R/A 19PIN TYPE		
Drawing No.		
HDMI-1018-1993N		
DR	CHK	APPD
General Tolerances :	Unit :	Scale :
x.xx± x.x±	mm	ROM

THIS DRAWING CONTAINS INFORMATION THAT IS PROPRIETARY TO KABO ENTERPRISE LTD. AND SHOULD NOT BE USED WITHOUT WRITTEN PERMISSION..



RECOMMENDED P.C.B. LAYOUT (T:1.20mm)
TOLERANCE UNSPECIFIED ±0.05mm



RECOMMENDED PANEL CUT OUT DIMENSION

SPECIFICATIONS

1. MECHANICAL :

- 1.1 INSERTION FORCE :44.1 N MAX
- 1.2 WITHDRAWAL FORCE :9.8 N MIN.

2. ELECTRICAL :

- 2.1 CONTACT CURRENT RATING: 0.5A MIN.
- 2.2 VOLTAGE RATING :40V AC (rms)
- 2.3 WITHSTANDING VOLTAGE:
500Volts AC BETWEEN ADIACENT TERMINAL(UNMATE)
300Volts AC BETWEEN ADIACENT TERMINAL(MATE)
- 2.4 INSULATION RESISTANCE:
100Mohm MIN.(UNMATED);10Mohm MIN.(MATED)
- 2.5 CONTACT RESISTANCE: 30 MILLIOHMS MAX.

3. ENVIRONMENTAL :

- 3.1 OPERATING TEMPERATURE:-25°C TO +85°C

凱帛企業有限公司 KABO ENTERPRISE CO.,LTD.		
Name		
HDMI SMT R/A 19PIN TYPE		
Drawing No.		
HDMI-1018-1993N		
DR	CHK	APPD
General Tolerances :	Unit :	Scale :
x.xx± x.x±	mm	ROM