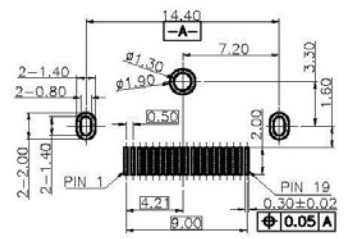
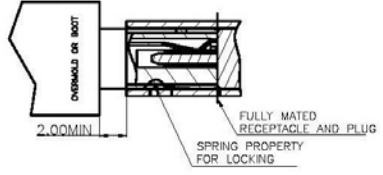
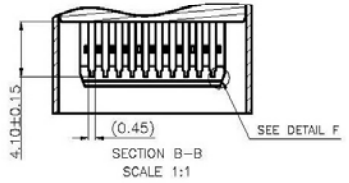
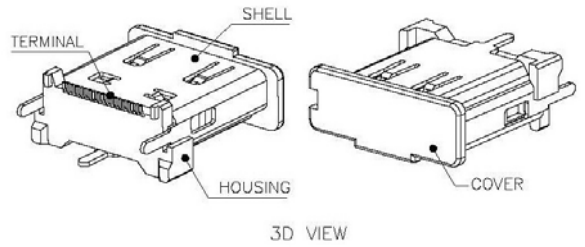
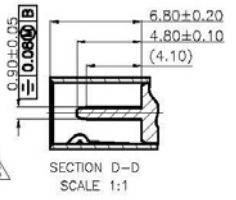
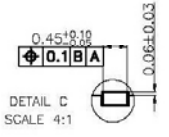
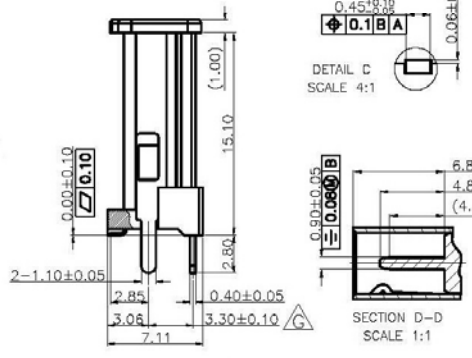
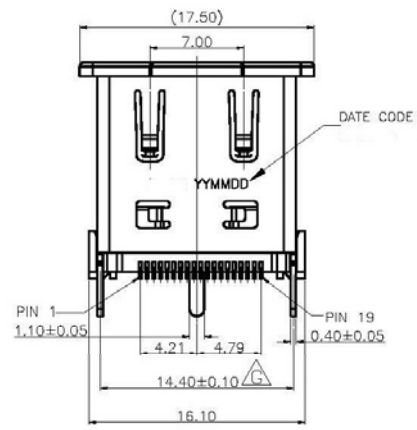
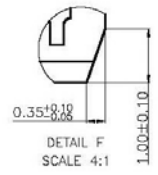
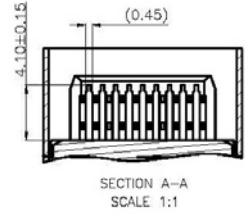
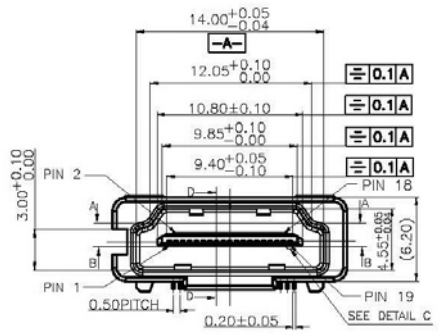


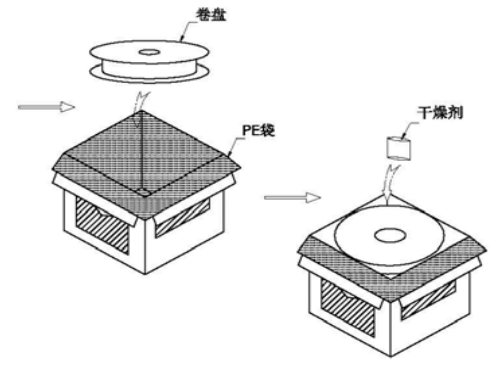
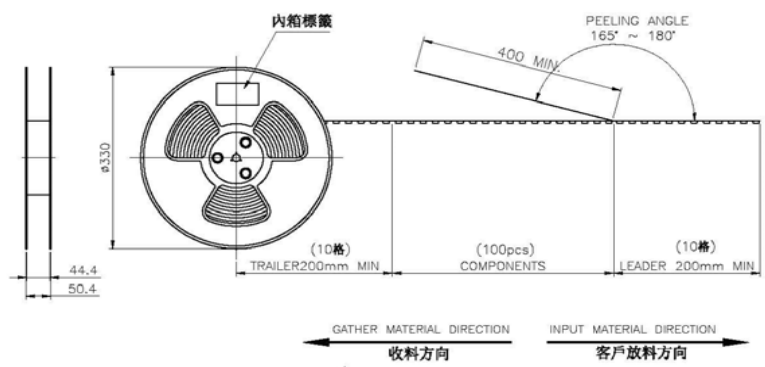
NOTES:

- 1.MATERIAL:**
 1-1 HOUSING:LCP E130I WITH 30% G/F UL 94V-0 COLOR:BLACK.
 1-2 CONTACTS:COPPER ALLOY C2680 T=0.20mm.
 1-3 SHELL:STAINLESS STEEL SUS201 T=0.40mm.
- 2.PLATING:**
 2-1 TERMINAL:(SEE TABLE)GOLD PLATED ON CONTACT AREA,
 GOLD FLASH PLATED ON SOLDER TAIL,
 WITH ENTIRE CONTACT UNDERPLATED 1.27mm[50μ]Min.NICKEL.
 2-2 SHELL:1.27mm[50μ] MIN. NICKEL PLATING.
- 3.ELECTRICAL PERFORMANCE:**
 3-1 CONTACT RESISTANCE:INITIAL CONTACT RESISTANCE
 EXCLUDING CONDUCTOR RESISTANCE:10 MILLIOHMS MAX.
 3-2 DIELECTRIC STRENGTH:UNMATED CONNECTORS APPLY 500V AC
 MATED CONNECTOR APPLY 300V AC
 3-3 INSULATION RESISTANCE:100 MEGAOHMS MIN.(UNMATED)
 10 MEGAOHMS MIN.(MATED)
- 4.SALT SPAY 48HR PASS.**
- 5.MECHANICAL PERFORMANCE:**
 5-1 MATING FORCE:4.5KGF MAX.
 5-2 UNMATING FORCE:1~4KGF.
 5-3 DURABILITY:10000CYCLE.

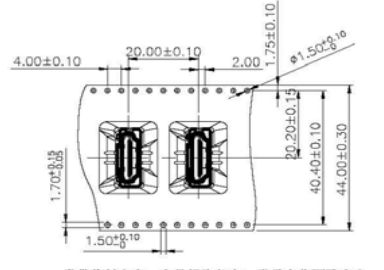


RECOMMENDED PCB LAYOUT THICKNESS = 1.6 mm
 TOP VIEW TOLERANCE = ±0.05

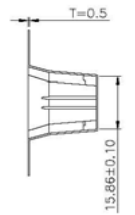
凱帛企業有限公司 KABOE ENTERPRISE CO.,LTD.		
Name		
HDMI SMT R/A 19PIN (直立式)		
Drawing No.		
HDMI-1036-1993N		
APPD	-HK-	D-R
General Tolerances :	Unit :	Scale :
-x.xx± x.x±	mm	ROM



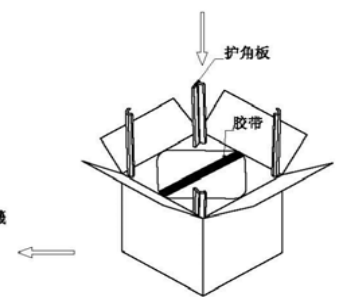
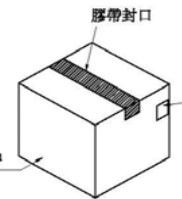
卷盘放置6层，在四个角落各放一袋干燥剂



卷带收料方向：产品脚朝左，卷带定位圆孔在上。



L X W X H
350mm X 350mm X 345mm



100	6	600 PCS	-- KG	-- KG
PCS/REEL	REEL/BOX	QUANTITY	GROSS WEIGHT	NET WEIGHT

NOTE:

- MATERIAL:
BOX: FIBREBOARD, CORRUGATED, DOUBLE WALL.
TAPE: POLYSTYRENES, WHITE COLOR.
REEL: POLYSTYRENES, BLUE COLOR.
BAG: POLYETHYLENE,
- PEELING STRENGTH: 0.1 ~ 1.5 N (10 ~ 150 GRAMS)
- PEELING SPEED: 300 mm/min.
- EACH BAG SHALL BE INCLUDED DESICCANT.

凱帛企業有限公司 KABOE ENTERPRISE CO.,LTD.		
Name		
HDMI SMT R/A 19PIN (直立式)		
Drawing No.		
HDMI-1036-1993N		
APPD	-HK-	D-R
General Tolerances :	Unit :	Scale :
-x.xx± x.x±	mm	ROM