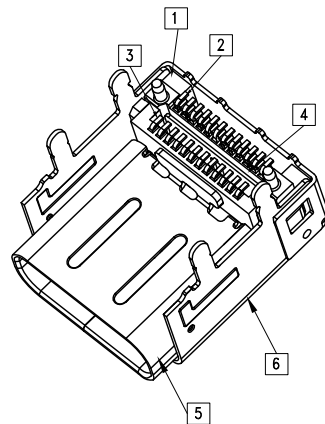
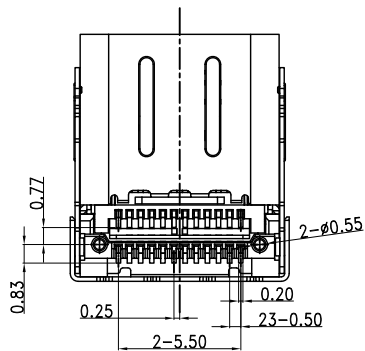
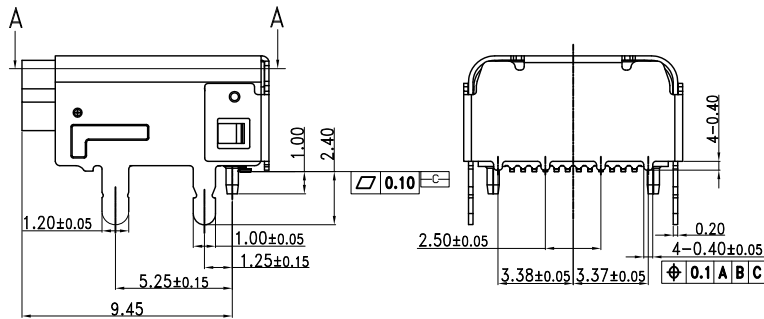
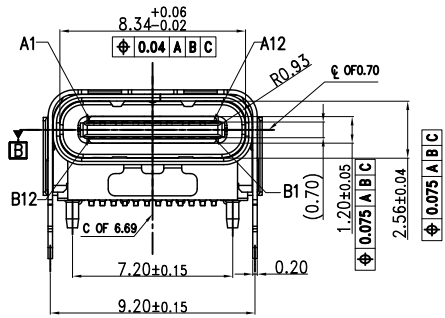


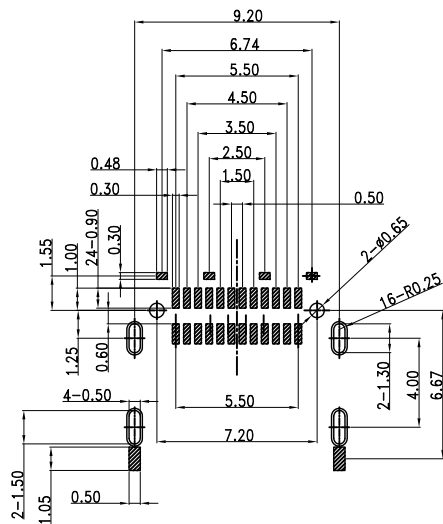
SECTION A-A

NOTES:

- 1.MATERIAL :SEE TABLE
- 2.COPLANARITY : 0.10 Max.
- 3.ELECTRICAL CHARACTERISTICS  
 LOW LEVEL CONTACT RESISTANCE: 40mΩ Max  
 INSULATION RESISTANCE:100MΩ MIN  
 DIELECTRIC WITHSTANDING VOLTAGE:100 VAC:  
 CONTACT CURRENT RATING:5A Max
- 4.MECHANICAL CHARACTERISTICS  
 INSERTION FORCE: 5~20N  
 EXTRACTION FORCE: 8~20N  
 AFTER DURABILITY EXTRACTION FORCE: 6~20N
- 5.DURABILITY: 10000 CYCLES
- 6.PACKAGING TYPE: CARRIER TAPE.
- 7.SALT SPRAY : 24 HOURS



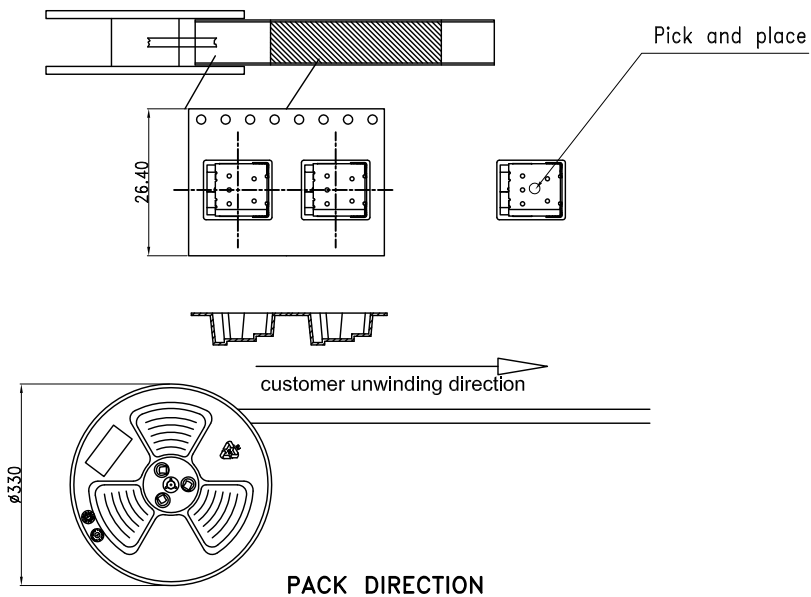
凱帛企業有限公司 KABOE ENTERPRISE CO.,LTD.		
Name USB C母 TYPE SMT R/A 24PIN 黑膠 (LCP) 不銹鋼 鍍金G/F		
Drawing No. USB-C-1057-2493N		
APPD	-HK-	D-R
General Tolerances :	Unit :	Scale :
X. ±0.30 X. ±5.°	mm	ROM
.X ±0.25 .X ±2.°		
.XX ±0.15 .XX ±1.°		
.XXX ±0.10 .XXX ±0.5°		



RECOMMENDED P.C.B LAYOUT(COMPONENT SIDE)  
PCB THICKNESS:2.0±0.05mm

6	OUTER-SHELL	1	STAINLESS STEEL	SOLDER NICKEL: 50U" MIN
5	INNER-SHELL	1	STAINLESS STEEL	SOLDER NICKEL: 50U" MIN
4	TOP TERMINAL	1	COPPER ALLOY	MATING AREA:AU 1u" SOLDER TAIL:MATTE TIN 50 MIN, 50u" NICKEL OVERALL.
3	BOTTOM TERMINAL	1	COPPER ALLOY	MATING AREA:AU 1u" SOLDER TAIL:MATTE TIN 50 MIN, 50u" NICKEL OVERALL.
2	MID PLATE	1	STAINLESS STEEL	SOLDER NICKEL: 50U" MIN
1	MAIN HOUSING	1	HIGH TEMPERATURE	BLACK
ITEM	DESCRIPTION	Q'TY	MATERIAL	FINISH
BILL OF MATERIAL				

Pin No	Signal Name	Mating Sequence	Pin No	Signal Name	Mating Sequence
A1	GND	First	B12	GND	First
A2	TX1+	Second	B11	RX1+	Second
A3	TX1-	Second	B10	RX1-	Second
A4	Vbus	First	B9	Vbus	First
A5	CC1	Second	B8	SBU2	Second
A6	D+	Second	B7	D-	Second
A7	D-	Second	B6	D+	Second
A8	SBU1	Second	B5	CC2	Second
A9	Vbus	First	B4	Vbus	First
A10	RX2-	Second	B3	TX2-	Second
A11	RX2+	Second	B2	TX2+	Second
A12	GND	First	B1	GND	First
SHELL		GND	SHELL		GND



凱帛企業有限公司 KABOE ENTERPRISE CO.,LTD.		
Name USB C母 TYPE SMT R/A 24PIN 黑膠 (LCP) 不銹鋼 鍍金G/F		
Drawing No. USB-C-1057-2493N		
APPD	-HK-	D-R
General Tolerances :	Unit :	Scale :
X. ±0.30 X. ±5.°	mm	ROM
.X ±0.25 .X ±2.°		
.XX ±0.15 .XX ±1.°		
.XXX ±0.10 .XXX ±0.5°		