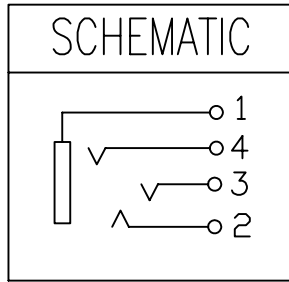
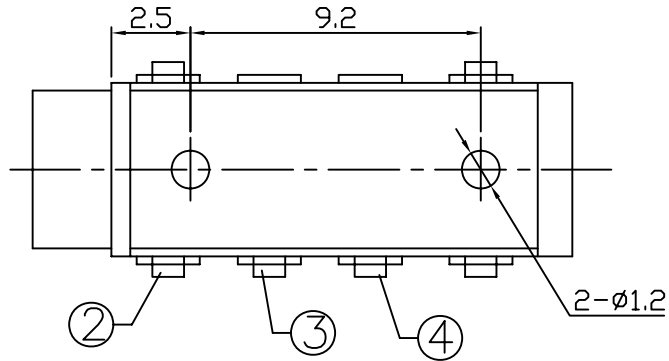


T:1.6 Dimensions of PC board holes
Tolerance : ±0.1(Printed-top view)



UNLESS OTHERWISE SPECIFIED, TOLERANCE ON DECIMAL: ±0.3

5	4# CONTACT FOOT	1	BRONZE	MB:Cu Ag PLATED
4	3# CONTACT FOOT	1	ALDARY	MB:Cu Ag PLATED
3	2# CONTACT FOOT	1	BRONZE	MB:Cu Ag PLATED
2	1# CONTACT FOOT	1	BRONZE	MB:Cu Ag PLATED
1	HOUSING	1	PC	
LTR	PART NAME	QTY	MATERIAL	REMARK

凱帛企業有限公司
KABO ENTERPRISE CO., LTD.

DESCRIPTION(內容):

Ø3.5 MINIATURE JACK
DIP TYPE 06PIN

PART NO:
(料號) PHONE JACK-2032-0691N

DWG NO(圖號):

DRAWN(製圖):

CHECKED(確認):

APPROVAL(核准):

GENERAL TOLERANCE:
(公差)

.X ±0.30
.XX ±0.15

SCALE(比例):
1:XX



REV:
A

UNIT:
mm

SIZE:
A4

SHEET:
1/1

REV

1

2

3

4

DESCRIPTION

DATE

A

B

C

D

E