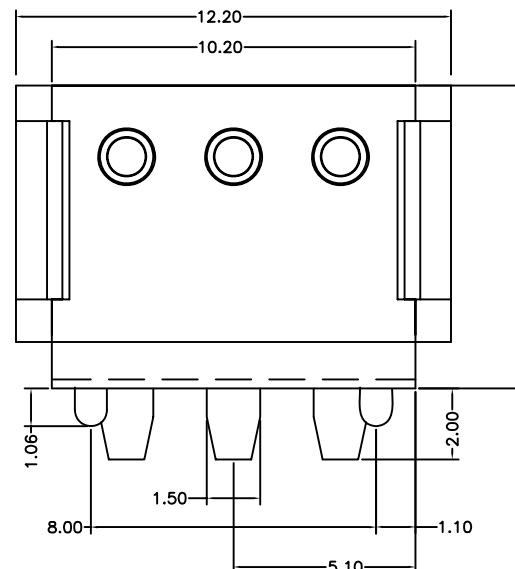
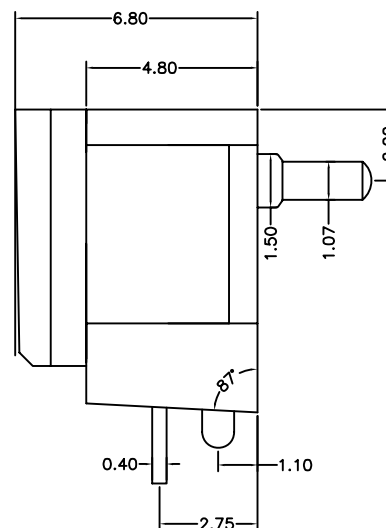
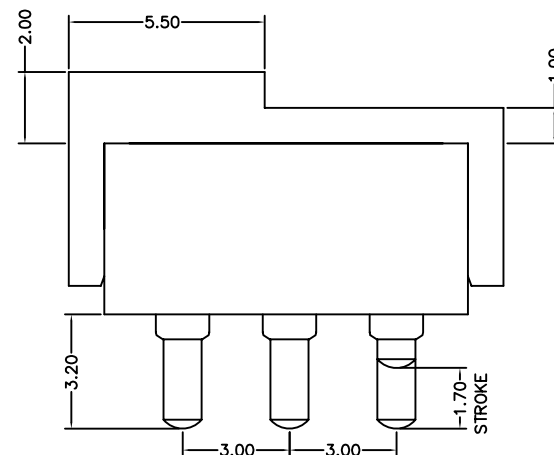


NOTES

1. MATERIAL & FLASH/PLATED
 - 1.1 HOUSING: HIGH TEMP. THERMOPLASTIC+GLASS FIBRE
. [UL 94V-0]; COLOR: BLACK
 - 1.2 PROBE: COPPER ALLOY
. TOP PROBE: 20u" GOLD
. BOTTOM PROBE: 3u" GOLD
 - 1.3 SPRING: STAINLESS SERIES
. PLATING: NONE PLATING
2. PRODUCT SPECIFICATION
 - 2.1 DISPLACEMENT: 1.50mm. MIN.
 - 2.2 CONTACT RESISTANCE: 20MILLIOHMS MAX.
 - 2.3 NORMAL FORCE: PRE-LOAD=30gf MIN.
. DISPLACEMENT=180±30g
. NOTES: FULL-LOAD DISPLACEMENT: 1.7±0.1mm
 - 2.4 DURABILITY: 10,000CYCLE
. NOTES: REDUCTION OF ORIGINAL FORCE 20% LOSS.



.X±0.10	.X±	單位: MM	凱帛企業有限公司
.XX±0.05	.XX±	料號	
.XXX±0.03	.XXX±	Battery-3.0-2002-0391	
本藍圖為凱帛企業有限公司所有, 未經本公司書面許可, 嚴禁印製			名稱: BATTERY CONNECTOR PITCH 3.0mm R/A
			圖號: Battery-3.0-2002-0391
			日期: 2005/11/17
			審核:
			製圖:
			SCALE: 10:1
			SHEET: 1/1
			REV.: X3

ECN	MODIFICATION	DRAWN	APPROVED
設變	設變內容	修改	核准