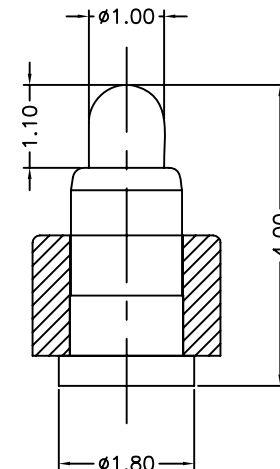
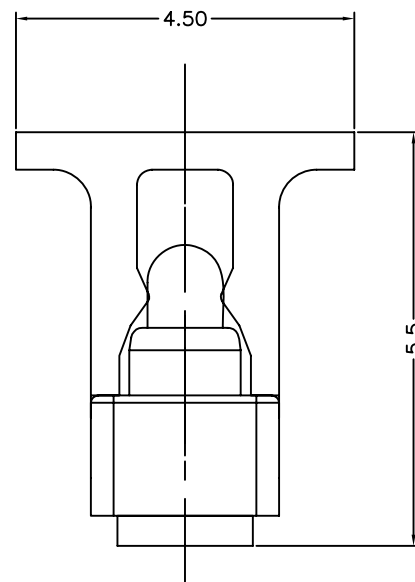
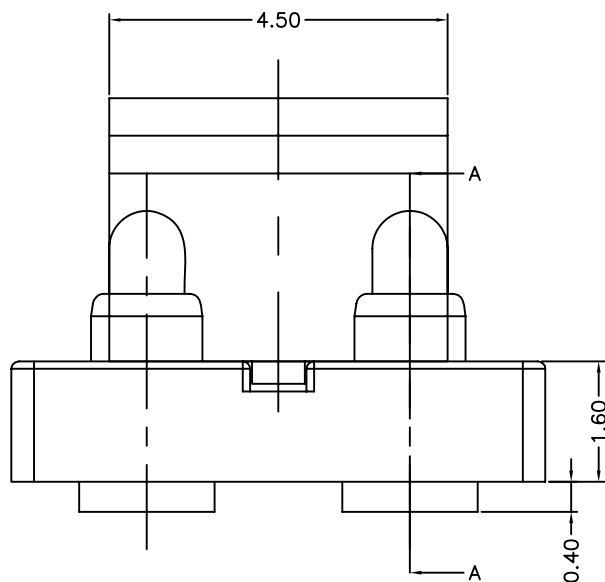


- 1. Material
 - Housing: High Temperature Material
 - Top probe: Brass Au Plated
 - Bottom probe: Brass Au Plated
 - Spring: SUS304 Not Plated
- 2. Plated
 - Contact surface: 10u" MIN Au, Over 50~100u" Ni
- 3. Electrical
 - Rated Current & Voltage: 1A & DC 12V
 - Contact Resistance: 50 mΩ MAX at Working Height
- 4. Mechanical
 - Unloaded Height: 4.00mm
 - Working Height: 3.20mm
 - Spring Force: 110g ± 20% at Working Height



.X±0.20	.X±	單位 MM	凱帛企業有限公司
.XX±0.10	.XX±	料號	
.XXX±0.05	.XXX±	Battery-3.5-1002-0203N	
本藍圖為凱帛企業有限公司所有, 未經本公司書面許可, 嚴禁印製			名稱 TITLE POGO PIN CONN. PITCH 3.50mm 2P HSG
			圖號 DWG NO. Battery-3.5-1002-0203N
			日期 2007/12/25
			審核
			製圖
ECN 設變	MODIFICATION 設變內容	DRAWN 修改	APPROVED 核准
		SCALE 10:1	SHEET 1/1
		REV. A	

ECN 設變	MODIFICATION 設變內容	DRAWN 修改	APPROVED 核准
-----------	----------------------	-------------	----------------