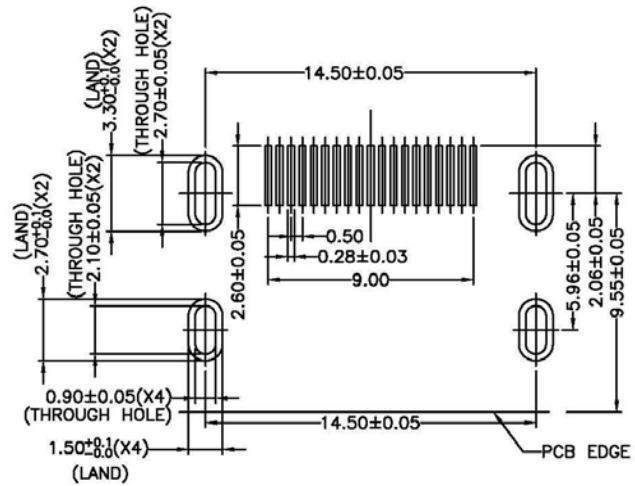


REMARKS:

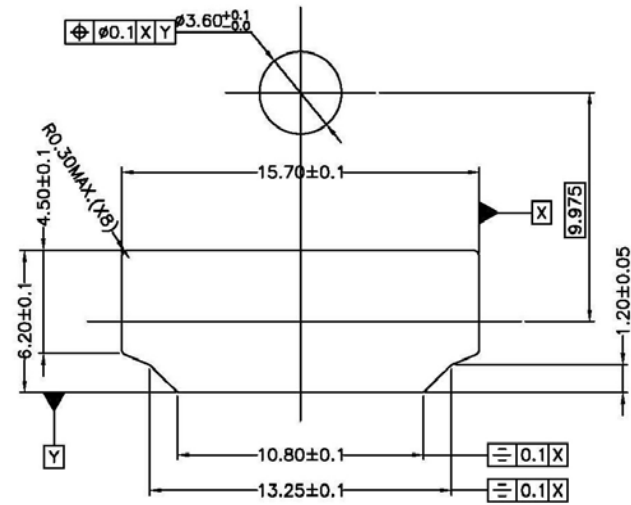
1. MATERIAL:
 - 1.1 HOUSING: HIGH TEMPERATURE THERMOPLASTIC UL 94V-0 RATED
 - 1.2 CONTACT: COPPER ALLOY
2. PLATING:
 - 2.1 CONTACT: GOLD PLATED OVER NICKEL ON CONTACT AREA AND 100u" MIN. TIN PLATED OVER NICKEL ON SOLDER TAILS
 - 2.2 SHELL: NICKEL PLATED

PART	A	B	C
1	9.975	16.05	7.20
2	7.975	14.53	5.20

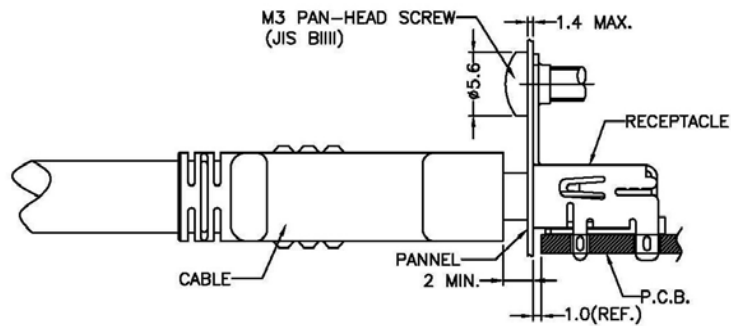
凱帛企業有限公司 KABO ENTERPRISE LTD.		
Name		
HDMI RECEPTACLE SMT A TYPE 19PIN		
Drawing No.		
HDMI-1006-1991N		
DR	CHK	APPD
General Tolerances :	Unit :	Scale :
x.xx±0.20 x.x±0.25	mm	ROM



RECOMMENDED PCB LAYOUT (THICKNESS=1.6±0.15mm)



REFERENCE PANEL CUT OUT DIMENSION



REFERENCE MOUNT DIMENSION

凱帛企業有限公司 KABO ENTERPRISE LTD.		
Name		
HDMI RECEPTACLE SMT A TYPE 19PIN		
Drawing No.		
HDMI-1006-1991N		
DR	CHK	APPD
General Tolerances :	Unit :	Scale :
x.xx±0.20 x.x±0.25	mm	ROM