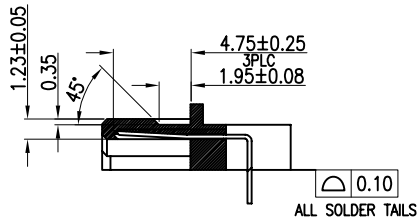
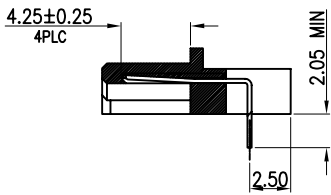


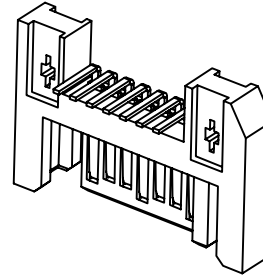
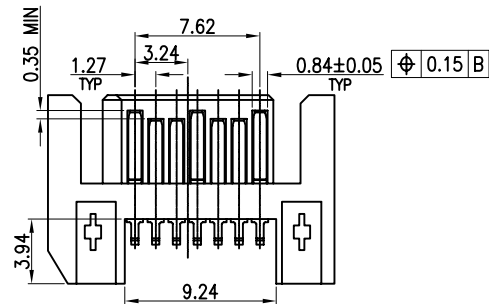
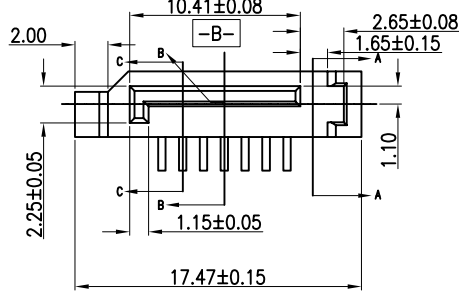
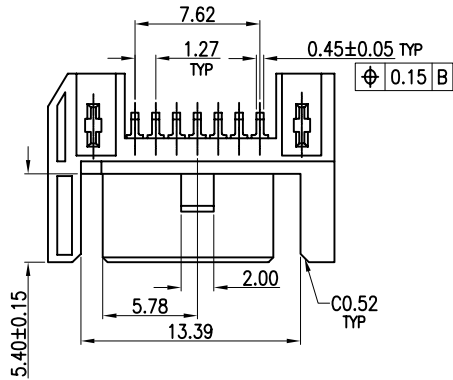
SECTION A-A  
1:1



SECTION B-B  
1:1

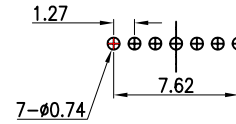
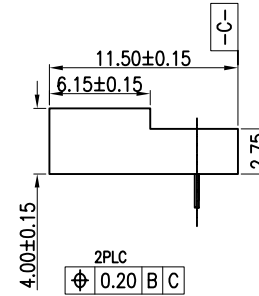


SECTION C-C  
1:1



NOTE:

- 1.MATERIAL  
HOUSING: LCP(SUMITOMO) E6006L 30% G/F UL94V-0 RATED.  
COLOR=BLACK.  
CONTACT: BRASS C2680 EH T=0.25mm.
- 2.PLATING  
CONTACT: GOLD PLATING ON CONTACT AREA  
100u" MINTIN PLATING ON SOLDER TAILS  
50u" MIN NICKEL UNDER PLATING OVER ALL.



PCB LAYOUT

凱帛企業有限公司  
KABO ENTERPRISE CO., LTD.

DESCRIPTION(內容)  
SATA 7P RIGHT ANGLE TYPE

PART NO:  
(料號) SATA-2001-0791N  
DWG NO(圖號):

DRAWN(製圖)

CHECKED(確認):

APPROVAL(核准):

GENERAL TOLERANCE:  
(公差)

.x =±0.30 x.° =±5°  
.xx =±0.20 .x.° =±2°  
.xxx =±0.10 .xx° =±1°

SCALE(比例):  
1:XX



REV:  
A/1

UNIT:  
mm

SIZE:  
A4

SHEET:  
1/1

REV

1

2

3

4

DESCRIPTION

DATE

2006.10.02