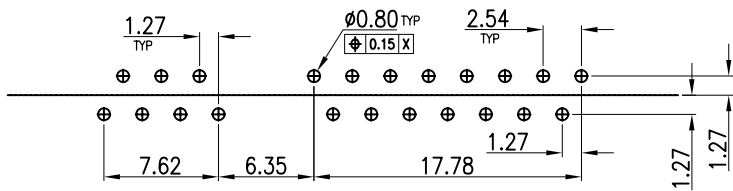
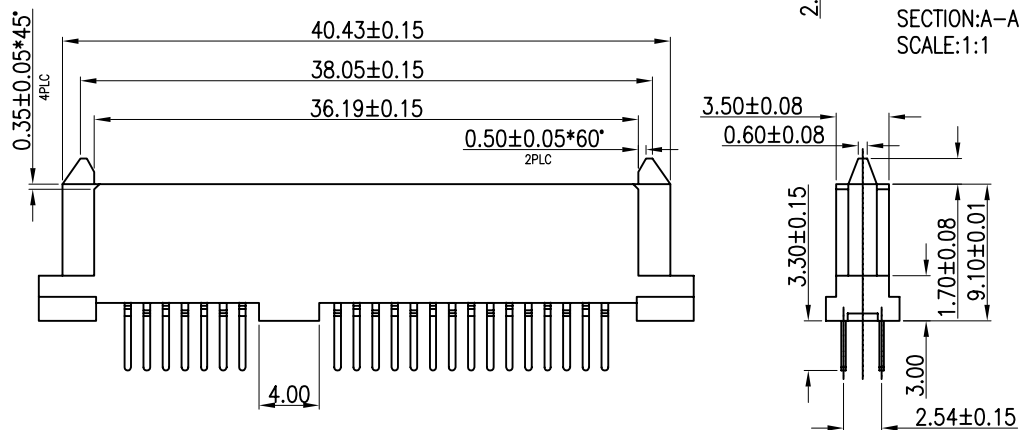


SECTION:A-A
SCALE:1:1



RECOMMEND PCB LAYOUT
PCB TOLERANCE:±0.05

- NOTES:
 1.MATERIALS
 HOUSING: THERMOPLASTIC,HIGH TEMP, 30% G/F
 UL 94V-0, COLOR:BLACK.
 CONTACT: PHOSPHOR BRONZE.
 2.FINISH
 CONTACT: 15u" GOLD PLATING ON CONTACT AREA
 100u" MIN TIN PLATING ON SOLDER TAILS
 50u" MIN NICKEL UNDER PLATING OVER ALL.

凱帛企業有限公司
KABO ENTERPRISE CO., LTD.

DESCRIPTION(內容)
SATA 7+15P DIP 180° TYPE
WITHOUT BOARDLOCK

PART NO:
(料號) SATA-2003-2201N
DWG NO(圖號):

DRAWN(製圖)

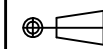
CHECKED(確認):

APPROVAL(核准):

GENERAL TOLERANCE:
(公差)

.X 0.30
.XX 0.20
.XXX 0.10

SCALE(比例):
1:XX



REV:
A/1

UNIT:
mm

SIZE:
A4

SHEET:
1/1

REV

1

2

3

4

DESCRIPTION

△此符號表示重點管控尺寸

DATE

2006.09.27