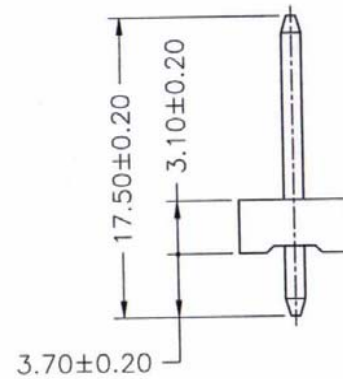
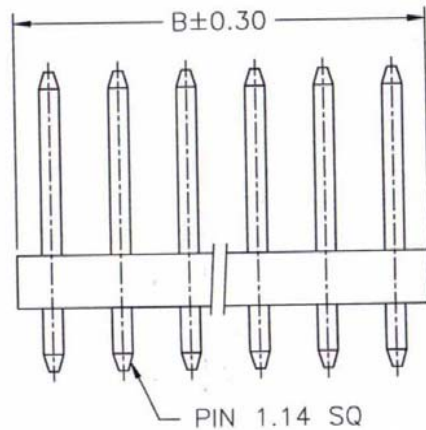
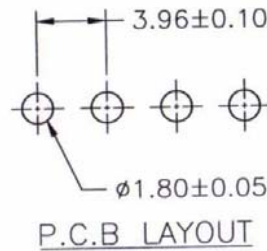
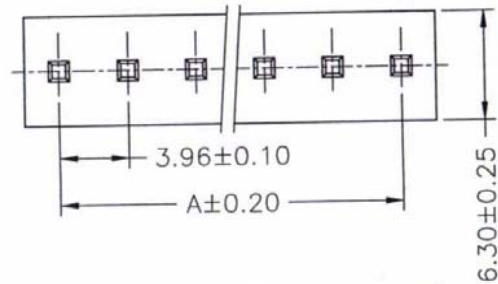


**SPECIFICATIONS**  
 Current Rating : 5A AC, DC  
 Voltage Rating : 250V AC, DC  
 Temperature Range : -25°C ~ +85°C  
 Contact Resistance : 10mΩ Max  
 Insulation Resistance : 1000MΩ Min  
 Withstanding Voltage : 1500V AC/minute  
 Pin Material : Brass/Tin-plated  
 Material : Nylon 66, UL94V-2



Ordering Information & Dimensions

Part No.	Dimensions	
	A	B
Wafer-3.96-2005-0201	3.96	8.00
Wafer-3.96-2005-0301	7.92	12.00
Wafer-3.96-2005-0401	11.88	15.90
Wafer-3.96-2005-0501	15.84	20.00
Wafer-3.96-2005-0601	19.80	24.00
Wafer-3.96-2005-0701	23.76	27.90
Wafer-3.96-2005-0801	27.72	31.90
Wafer-3.96-2005-0901	31.68	35.80
Wafer-3.96-2005-1001	35.64	39.90
Wafer-3.96-2005-1101	39.60	43.90
Wafer-3.96-2005-1201	43.56	47.80
Wafer-3.96-2005-1301	47.52	51.80
Wafer-3.96-2005-1401	51.48	55.70
Wafer-3.96-2005-1501	55.44	59.80
Wafer-3.96-2005-1601	59.40	63.80
Wafer-3.96-2005-1701	63.36	67.70
Wafer-3.96-2005-1801	67.32	71.70
Wafer-3.96-2005-1901	71.28	75.60
Wafer-3.96-2005-2001	75.24	79.80

凱帛企業有限公司  
 KABO ENTERPRISE LTD.

Name		
Pitch:3.96mm Wafer DIP V/T TYPE		
Drawing No.		
Wafer-3.96-2005-xx01		
DR	CHK	APPD
General Tolerances :	Unit :	Scale :
x.xx ± 0.25	mm	ROM
x.x ± 0.30		