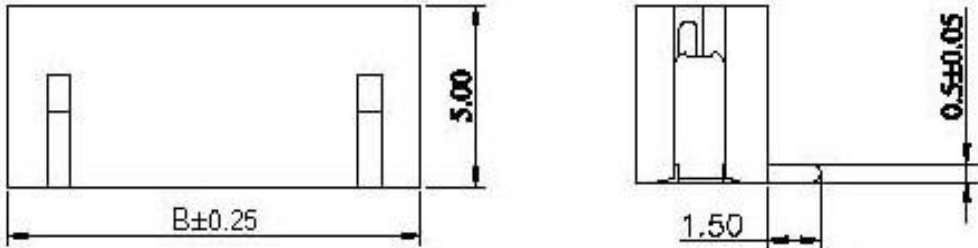
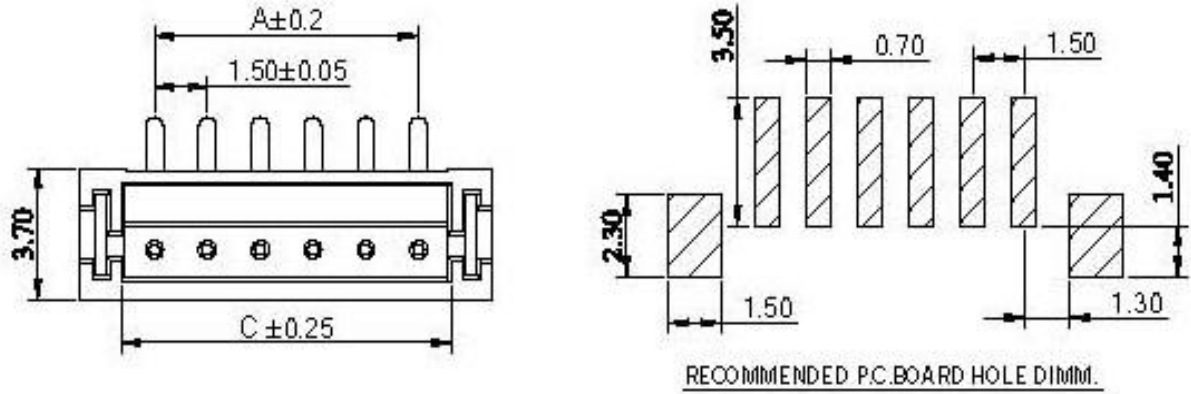


SPECIFICATIONS

Current rating : 1A AC,DC
 Voltage rating : 100V AC,DC
 Temperature range : -25°C to +85 °C
 Contact resistance : 20m Ω Max.
 Insulation resistance : 500M Ω Min.
 Withstanding voltage : 500V AC/minute
 Material : Pin-Brass/Tin-plated
 Base-Nylon 6T UL94V-0



Part No.	Dimension(mm)			Note.
	A	B	C	
WF-1.5-1002-0201N	1.50	6.00	3.60	
WF-1.5-1002-0301N	3.00	7.50	5.10	
WF-1.5-1002-0401N	4.50	9.00	6.60	
WF-1.5-1002-0501N	6.00	10.50	8.10	
WF-1.5-1002-0601N	7.50	12.00	9.60	
WF-1.5-1002-0701N	9.00	13.50	11.10	
WF-1.5-1002-0801N	10.50	15.00	12.60	
WF-1.5-1002-0901N	12.00	16.50	14.10	
WF-1.5-1002-1001N	13.50	18.00	15.60	
WF-1.5-1002-1101N	15.00	19.50	17.10	
WF-1.5-1002-1201N	16.50	21.00	18.60	
WF-1.5-1002-1301N	18.00	22.50	20.10	

凱帛企業有限公司 KABO ENTERPRISE LTD.		
Name		
Pitch1.5mm WAFER SMT V/T TYPE		
Drawing No.		
WAFER-1.5-1002-xx01N		
DR	CHK	APPD
General Tolerances : x.xx±0.25 x.x±0.30	Unit : mm	Scale : ROM