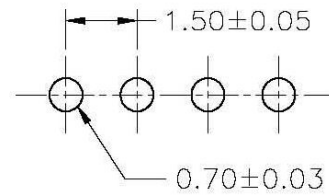
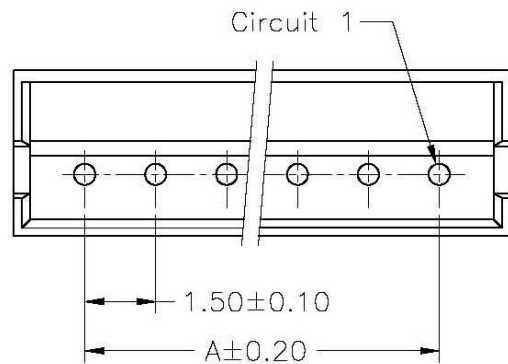


### SPECIFICATIONS

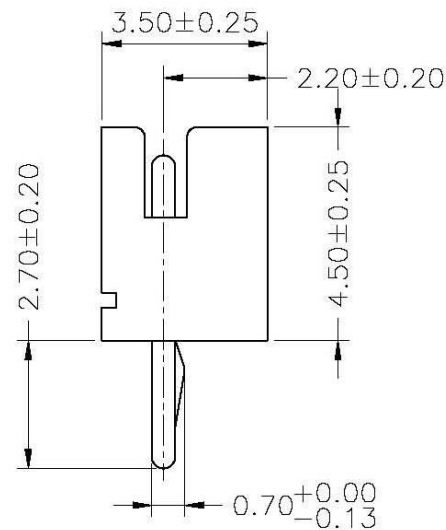
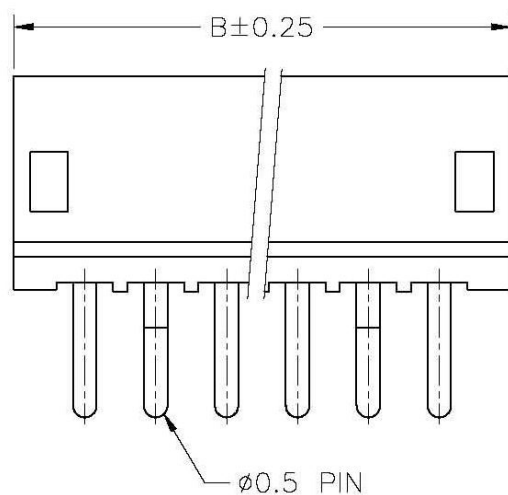
Current Rating: 1A AC,DC  
 Voltage Rating: 100V AC,DC  
 Temperature Range:  $-25^{\circ}\text{C} \sim +85^{\circ}\text{C}$   
 Contact Resistance:  $20\text{m}\Omega$  Max.  
 Insulation Resistance:  $500\text{M}\Omega$  Min.  
 Withstanding Voltage: 500V AC/minute  
 Pin Material: Brass/Tin-plated  
 Material: Nylon 66,UL94V-0

### Ordering Information & Dimensions

Poles	Dimensions	
	A	B
2	1.50	4.50
3	3.00	6.00
4	4.50	7.50
5	6.00	9.00
6	7.50	10.50
7	9.00	12.00
8	10.50	13.50
9	12.00	15.00
10	13.50	16.50
11	15.00	18.00
12	16.50	19.50
13	18.00	21.00



P.C.B LAYOUT



凱帛企業有限公司 <b>KABO ENTERPRISE LTD.</b>		
Name		
Pitch1.5mm WAFER DIP V/T TYPE		
Drawing No.		
Wafer-1.5-2001-xx01		
DR	CHK	APPD
General Tolerances :	Unit :	Scale :
x.xx±0.20 x.x±0.35	mm	ROM