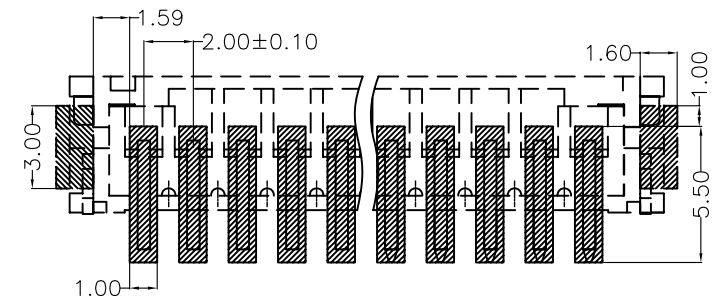
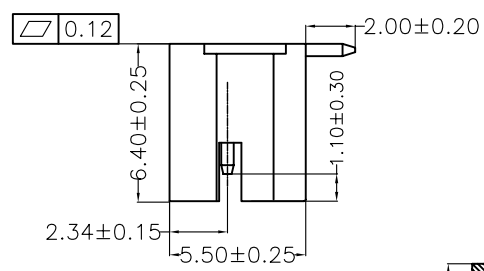
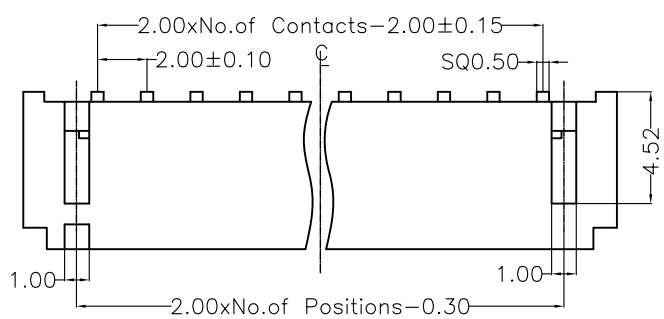


NOTES:
 Current Rating:1.0AMP
 Contact Resistance:20mΩ max
 Withstand Voltage:800V AC/DC
 Insulation Resistance:1000MΩ min
 Operation Temperature:-40°C to +85°C

Contact Material:Phosphor Bronze
 Contact plating:Au or Sn Over Ni
 Insulator Material:Polyester (UL94V-0)
 No. of pins: 02pin -30pin



Recommended P.C.B Layout(Top Side)

凱帛企業有限公司
 KABO ENTERPRISE CO., LTD.

DESCRIPTION(內容)
 Pitch:2.0 mm Wafer SMT V/T TYPE
 PART NO:
 (料 號) Wafer-2.0-1003-xx02N
 DWG NO(圖號):

DRAWN(製圖)
 CHECKED(確認):
 APPROVAL(核准):

GENERAL TOLERANCE:
 (公差)
 .X ±0.30
 .XX ±0.15
 SCALE(比例):
 1:XX

REV:
 A
 UNIT:
 mm
 SIZE:
 A4
 SHEET:
 1/1

REV	DESCRIPTION	DATE
1		2008.04.25
2		
3		
4		