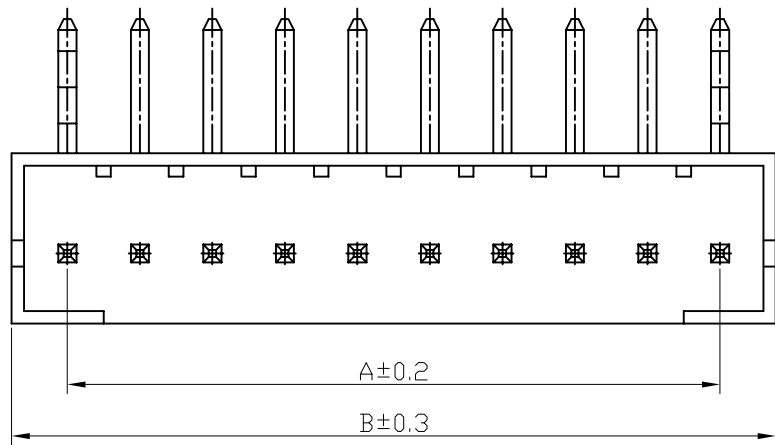
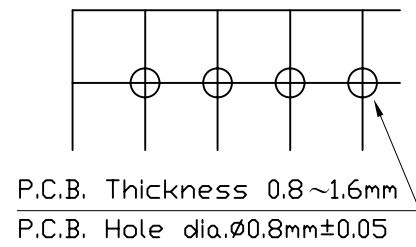


A B C D E

1



P.C.B Hole Layout

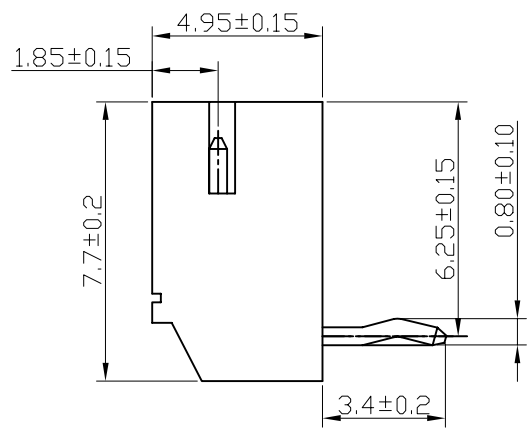
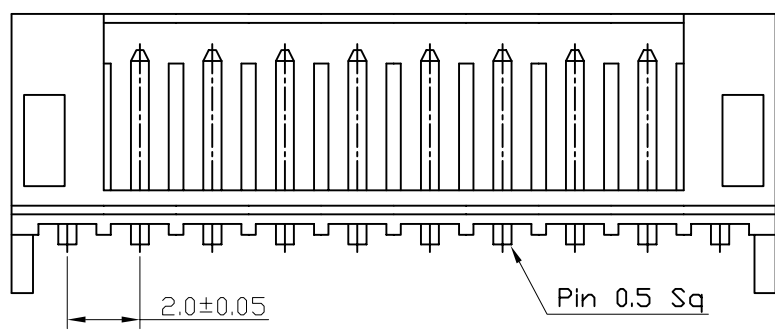


Features

- * Available in 2 through 16 circuits
- * 0.5mm(.020") tin plated square pin
- * Contact Material: Brass
- * Finished: Tin-plated/Gold-plated
- * Housing Material: Nylon 66, UL94V-0

1

2



Circuits	Dimension mm	
	A	B
2	2.00	6.00
3	4.00	8.00
4	6.00	10.00
5	8.00	12.00
6	10.00	14.00
7	12.00	16.00
8	14.00	18.00
9	16.00	20.00
10	18.00	22.00
11	20.00	24.00
12	22.00	26.00
13	24.00	28.00
14	26.00	30.00
15	28.00	32.00
16	30.00	34.00

2

3

凱帛企業有限公司 KABO ENTERPRISE CO., LTD.	DESCRIPTION(內容)	DRAWN(製圖)	GENERAL TOLERANCE: (公差)	REV: A/1	REV	DESCRIPTION	DATE
	2.0mm Wafer 90° (打K)	CHECKED(確認):	.X .XXXX .XX .X° .XXX .XX°	UNIT: mm	1		
	PART NO: (料號) Wafer-2.0-2001-xx91	APPROVAL(核准):	SCALE(比例): 1:XX	SIZE: A4	2		
	DWG NO(圖號):			SHEET: 1/1	3		
				4			

3

A B C D E