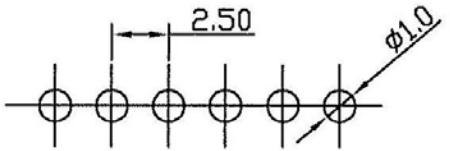
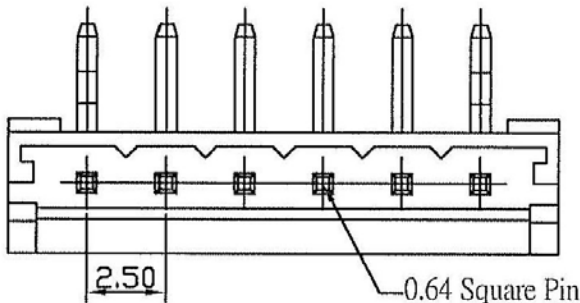


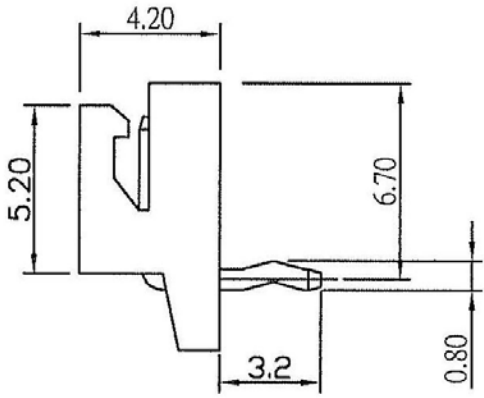
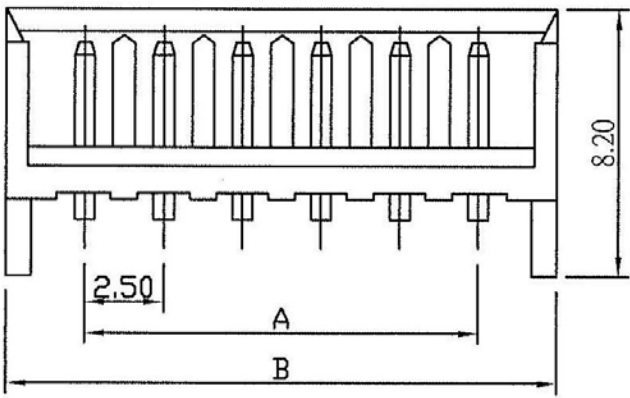
SPECIFICATIONS

Electrical
 Current Rating : 2.5A AC, DC
 Voltage Rating : 250V AC/max.
 Operation Temp : -25°C ~ +85°C
 Insulation Resistance : 1000MΩ/min.
 Dielectric Withstanding Voltage : 800V AC/min.
 Contact Resistance : 10mΩ/max.

Material
 Terminal Material : Brass, Copper-Undercoated,/
 Tin-Lead plated
 Material : Nylon 66, UL94V-0



RECOMMENDED P.C.BOARD HOLE DIMM.



Poles	Dimension mm (in.)	
	A	B
2	2.50(0.098)	7.50(0.295)
3	5.00(0.197)	10.00(0.394)
4	7.50(0.295)	12.50(0.492)
5	10.00(0.394)	15.00(0.591)
6	12.50(0.492)	17.50(0.689)
7	15.00(0.591)	20.00(0.787)
8	17.50(0.689)	22.50(0.886)
9	20.00(0.787)	25.00(0.984)
10	22.50(0.886)	27.50(1.082)
11	25.00(0.984)	30.00(1.181)
12	27.50(1.082)	32.50(1.280)
13	30.00(1.181)	35.00(1.378)
14	32.50(1.280)	37.50(1.476)
15	35.00(1.378)	40.00(1.575)

凱帛企業有限公司 KABO ENTERPRISE LTD.		
Name		
Pitch2.5mm Wafer DIP R/A Type		
Drawing No.		
Wafer-2.5-2003-xx91N		
DR	CHK	APPD
General Tolerances : x.xx±0.1 x.x±0.5	Unit : mm	Scale : ROM