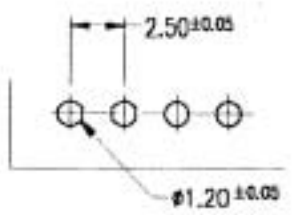
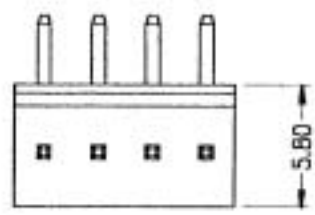


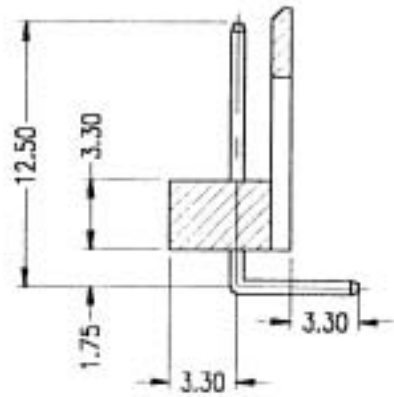
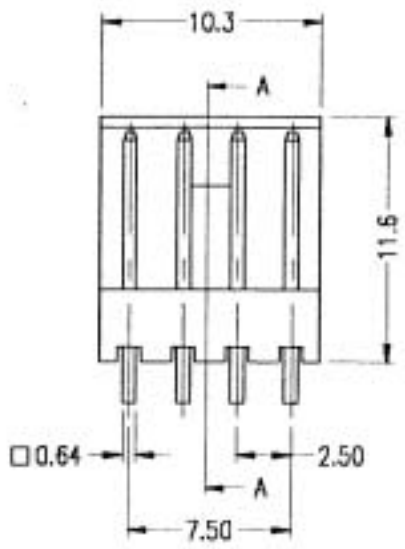
8 | 7 | 6 | 5 | 4 | 3 | 2 | 1

F
E
D
C
B
A



Recommended P.C. Board Layout

NOTES:
 Voltage Rating: 250V AC DC
 Current Rating: 3A AC DC
 Withstand voltage: 1000V AC/minute
 Insulation resistance: 1000M Ω /min
 Temperature range: -25°C ~ +85°C
 Applicable PC board thickness: .063 (1.6mm)
 Contact resistance: Initial Value/10m Ω max.
 After environmental testing/20m Ω max.
 Qty: 500,1000 pcs/bag



凱鼎企業有限公司 KABO ENTERPRISE LTD		
Name		
2.5 WAFER R/A TYPE		
Drawing No		
Wafer-2.5-2004-xx91		
DR	CHK	APPD
<i>Walt</i>	<i>Walt</i>	<i>Walt</i>
Version:	mm	ROM
xx-03 xx-04		