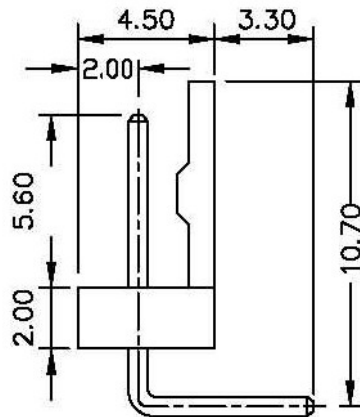
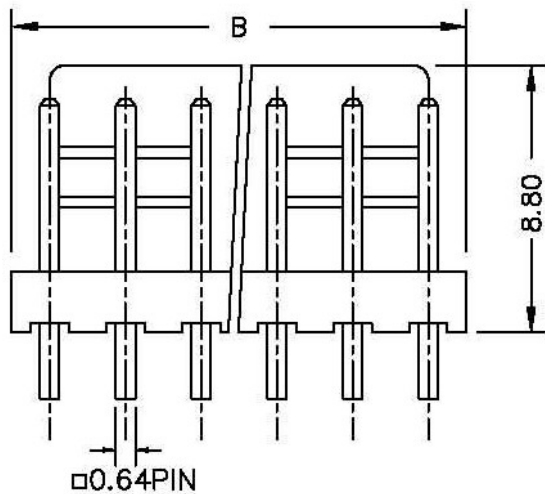


PCB LAYOUT COMPONENT SIDE



Specifications

Current Rating : 2A AC, DC

Voltage rating : 250V AC, DC

Temperature range : -25°C to +85°C

Contact resistance : 20mΩ Max

Insulation resistance : 1000MΩ Min

Withstanding voltage : 800V AC/minute

Housing Mateial : Nylon 66, UL94V-2

Poles	Dimension(mm)		Poles	Dimension(mm)	
	A	B		A	B
2	2.50	5.10	12	27.50	30.10
3	5.00	7.60	13	30.00	32.60
4	7.50	10.10	14	32.50	35.10
5	10.00	12.60	15	35.00	37.60
6	12.50	15.10	16	37.50	40.10
7	15.00	17.60	17	40.00	42.60
8	17.50	20.10	18	42.50	45.10
9	20.00	22.60	19	45.00	47.60
10	22.50	25.10	20	47.50	50.10
11	25.00	27.60			

凱帛企業有限公司 <b>KABO ENTERPRISE LTD.</b>		
Name		
Pitch2.5mm WAFER DIP R/A type		
Drawing No.		
Wafer-2.5-2005-xx91N		
DR	CHK	APPD
General Tolerances :	Unit :	Scale :
x.xx±0.1 x.x±0.5	mm	ROM